

PRODUCT INFORMATION PACKET



Model No: 048S34S2003

Catalog No: 048S34S2003

Fan and Blower Motor, 0.25 HP, 1 Ph, 60 Hz, 115 V, 3600 RPM, 48NZ Frame, SEMI ENCLOSED



Regal and Leeson are trademarks of Regal Rexnord Corporation or one of its affiliated companies.

©2024 Regal Rexnord Corporation, All Rights Reserved. MC017097E





Nameplate Specifications

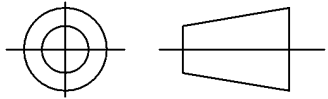
Phase	1	Output HP	0.25 Hp
Output KW	0.19 kW	Voltage	115 V
Speed	3450 rpm	Service Factor	1.0
Frame	48NZ	Enclosure	Semi Enclosed
Thermal Protection	Manual	Efficiency	56.5 %
Ambient Temperature	40 °C	Frequency	60 Hz
Current	4.3 A	Power Factor	58.7
Duty	Continuous	Insulation Class	B
Design Code	NO DESIGN CODE	KVA Code	S
Drive End Bearing Size	6203	Opp Drive End Bearing Size	6203
UL	Recognized	CSA	Y
CE	N	IP Code	10
Number of Speeds	1		

Technical Specifications

Electrical Type	Split Phase	Starting Method	Across The Line
Poles	2	Rotation	Selective Clockwise
Resistance Main	0 Ohms	Mounting	Round
Motor Orientation	Horizontal	Drive End Bearing	Ball
Opp Drive End Bearing	Ball	Frame Material	Rolled Steel
Shaft Type	Single Special Extension	Overall Length	8.13 in
Shaft Diameter	0.500 in	Shaft Extension	2.09 in
Assembly/Box Mounting	F1 ONLY		
Outline Drawing	52A111274P1	Connection Drawing	52A105379AH

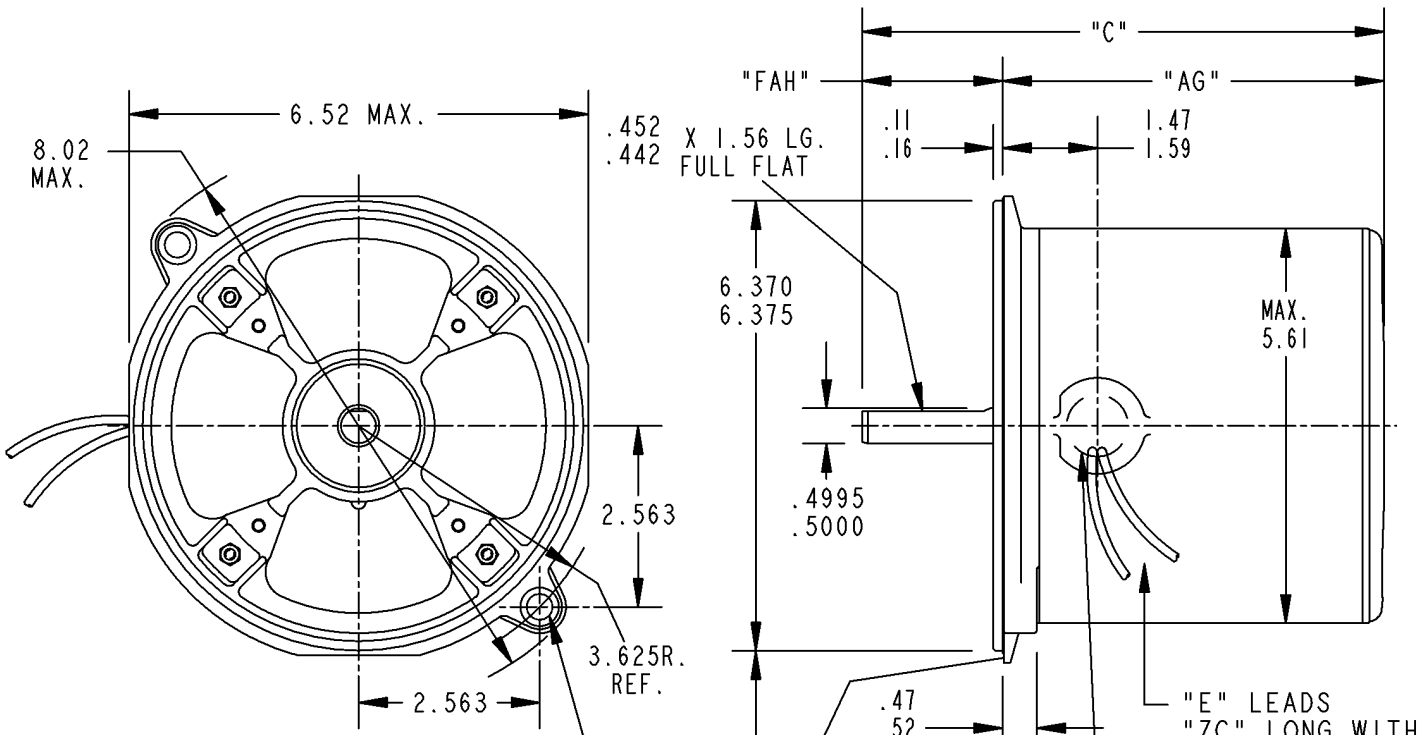
SHEET 1
REV 1
52A111274
SIZE DRAWING NO. A

THIRD ANGLE PROJECTION



REVISIONS

REV.	DESCRIPTION	DATE	APPROVED
1	CHG TO RBC FORMAT PER ISO5-1777	04/28/06	PRAVEEN.K




.380 DIA. (2 HOLES)
.340
THESE HOLES FIT A GAGE HAVING A RABBET 6.3755 DIA. AND 2 PINS .3309 DIA. LOCATED ON THE BASIC HOLE POSITIONS.
ECCENTRICITY OF THIS SURFACE (WITH INDICATOR MOUNTED STATIONARY RELATIVE TO SHAFT) MUST NOT EXCEED .006 T.I.R.

FACE RUNOUT (WITH INDICATOR MOUNTED STATIONARY RELATIVE TO SHAFT) MUST NOT EXCEED .006 T.I.R.

I	KH	32	48N	8.13	6.07	2	22/20	.69	2.09/1.97	5.16
P	TYPE	GE SIZE	NEMA FR	"C"	"AG"	"E"	"ZC"	"ZE"	"FAH"	MIN. SHELL

SIGNATURES		DATE
MODEL	DURGA	01/13/05
DETAIL	.	.
CHECKED	.	.
ENGRG	.	.
MFG	.	.
FOR ADDITIONAL INFO REFER TO:	QUALITY	.
APPLIED PRACTICES	ISSUED	DURGA 01/13/05
DIMENSIONS ARE IN INCHES ✓	SOLID MODEL: 52A111274	



REGAL-BELOIT CORPORATION

TITLE

OUTLINE

FORM "N" - OIL BURNER MOTOR - TWO LUGS

FLANGE MOUNTED SLEEVE BEARING

SIZE DRAWING: A

SCALE: 1.000 REF. No: .

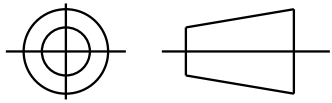
REV 1

52A111274

SHEET 1 of 1

SHEET 1
 REV 1
 SIZE 52A105379AH
 A
 DRAWING NO.

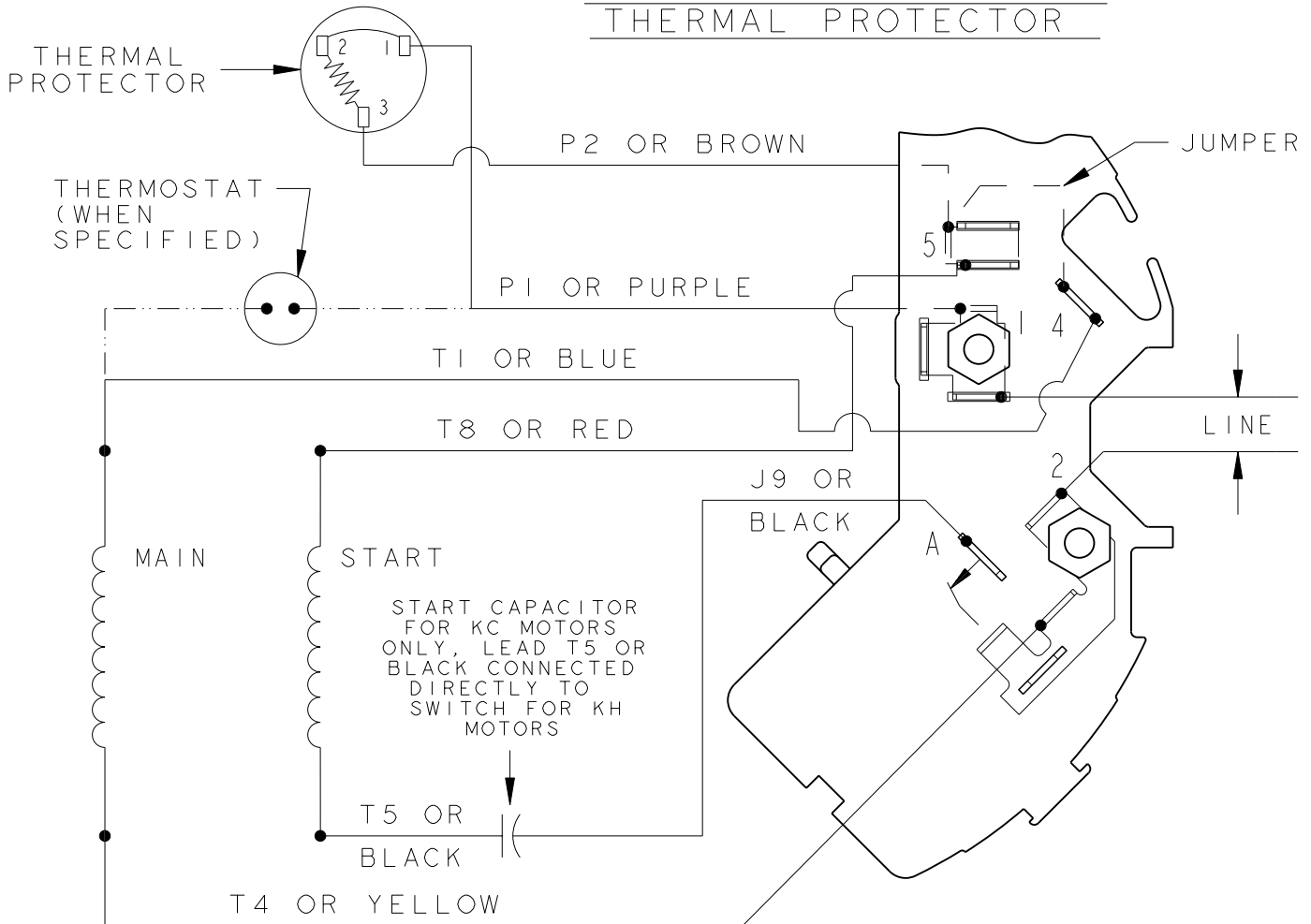
THIRD ANGLE PROJECTION



REVISIONS

REV.	DESCRIPTION	DATE	APPROVED
1	UPDATED FORMAT	12/01/05	MAM

EITHER ROTATION - SINGLE VOLTAGE
TYPE KC OR KH WITH
THERMAL PROTECTOR



NOTE #1 - TO REVERSE ROTATION INTERCHANGE RED (T8) AND BLACK (J9-KC OR T5-KH) LEADS.

NOTE #2 - WHEN MORE THAN ONE CAPACITOR IS USED CONNECT IN PARALLEL.

SWITCH (C) - 115D958AB

REF. DIAGS. - 121A851

CONNECTION LABEL - NP52X332048

SIGNATURES		DATE
MODEL	M. D. PAPE	08/18/88
DETAIL	.	.
CHECKED	.	.
ENGRG	.	.
MFG	.	.
FOR ADDITIONAL INFO REFER TO:	QUALITY	.
APPLIED PRACTICES	ISSUED	M. D. P. 08/18/88
DIMENSIONS ARE IN INCHES ✓	SOLID MODEL: 52A105379AH	



REGAL-BELOIT CORPORATION

TITLE CONNECTION DIAGRAM

FMF: 30FR SWITCH REDESIGN (SIM TO 52A105379AA)

SIZE DRAWING A 52A105379AH REV 1

SCALE: 1.000 REF. No: SHEET 1 of 1